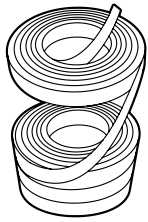


Packing Precision Strip in Multi-Coils

Technical Information



Zapp is Certified to ISO 9001



Packing Precision Strip in Multi-Coils

Pallet Size

Round pallets 1250 mm – 1300 mm dia.

Overall Height

Acc. to customer specification up to 1000 mm max.
(Pallet incl. material, but without cover)

Gross Weight

Max. 1500 kg

Coil Separation:

Thickness 2 mm – 4 mm

Width 35 mm – 40 mm

Length min. 510 mm

Cardboard (optionally laminated)

Three separators for each clearance arranged in an angle of 120°

Excess length inside min. 30 mm, outside min. 20 mm

Vertically aligned

Lowest separator 4 mm thick (two separators)

Three additional separators without excess length inside for coils which run from the inside to the outside

(cardboard width: 50 mm)

Coils

ID 300 mm – 320 mm

OD 850 mm – 1220 mm

OD 750 mm < 850 mm for max. three coils per multi-coil

Welding Seams

- _ Black markings
- _ 20 mm before and after each seam with water-resistant lacquer
- _ Welding seam hub within the strip thickness tolerance
- _ Undersize is aimed for
- _ Lateral offset < 0.02 mm
- _ Welding holes not allowed

Labeling

At the bottom of the core / dispatch labels in twofold

Stacking

Cylindrically centered

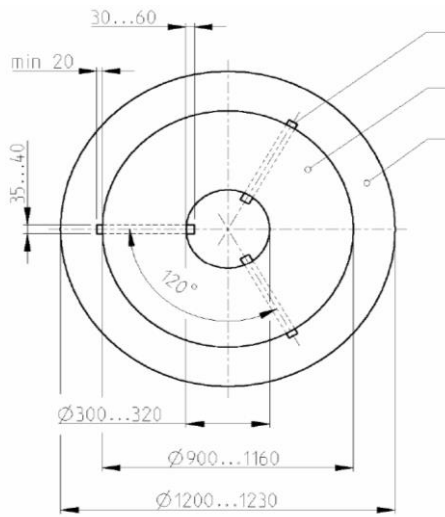
Unreeling

- _ Anti-clockwise, starting with the top coil from the outside
- _ Bottom layer running preferably from the inside to the outside
- _ Otherwise glued on the inside

Samples

- _ 1000 mm length
- _ Positioned below the empty space of the wooden pole cross cover

Picture 1

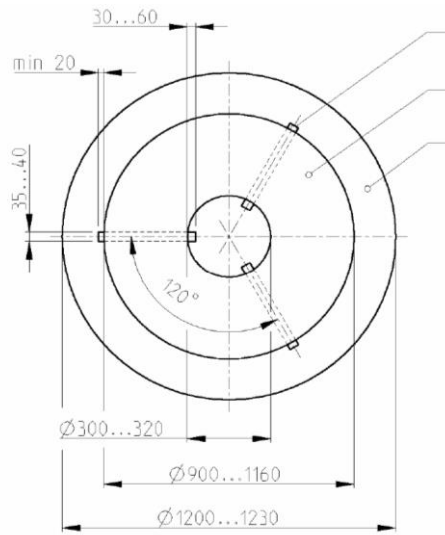


Separator
Material
Round pallet

Picture Package



Picture 2



Separator
Material
Round pallet

Zapp Precision Metals GmbH

PRECISION STRIP

Hochstraße 32

59425 Unna

P.O. Box 21 29

59411 Unna

Phone +49 2304 79-508

Fax +49 2304 79-7979

precisionstrip@zapp.com

www.zapp.com

Further information regarding our products and locations are available in our image brochure and under www.zapp.com

The illustrations, drawings, dimensional and weight data and other information included in these data sheets are intended only for the purposes of describing our products and represent non-binding average values. They do not constitute quality data, nor can they be used as the basis for any guarantee of quality or durability. The applications presented serve only as illustrations and can be construed neither as quality data nor as a guarantee in relation to the suitability of the material. This cannot substitute for comprehensive consultation on the selection of our products and on their use in a specific application. The brochure is not subject to change control.

Last revision: July 2020